



Height Adjustable Mouse Support

The height adjustable mouse surface support was designed to provide the user with complete ergonomic adjustment. The tilt and swivel features and height adjustment above to below keyboard tray maximize both flexibility and user comfort.

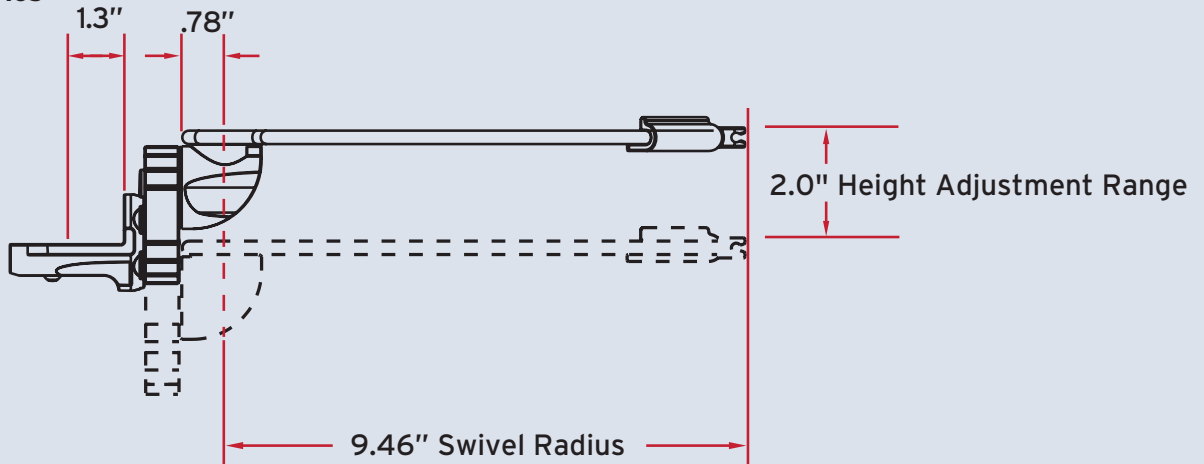
Features

- Ergonomic adjustment of tilt, swivel and height adjustment
- Mouse support can be mounted to either the left or right side (or in the case of clamp mount to the front edge) of the keyboard tray
- Mouse fence with cable manager
- Clamp mount designed for 1/4" thick keyboard trays
- Direct mount designed for 3/8" to 1/2" thick keyboard trays
- Available without mouse tray
- Wherever possible, recycled materials are used to manufacture components
- Designed for disassembly and 100% recyclability

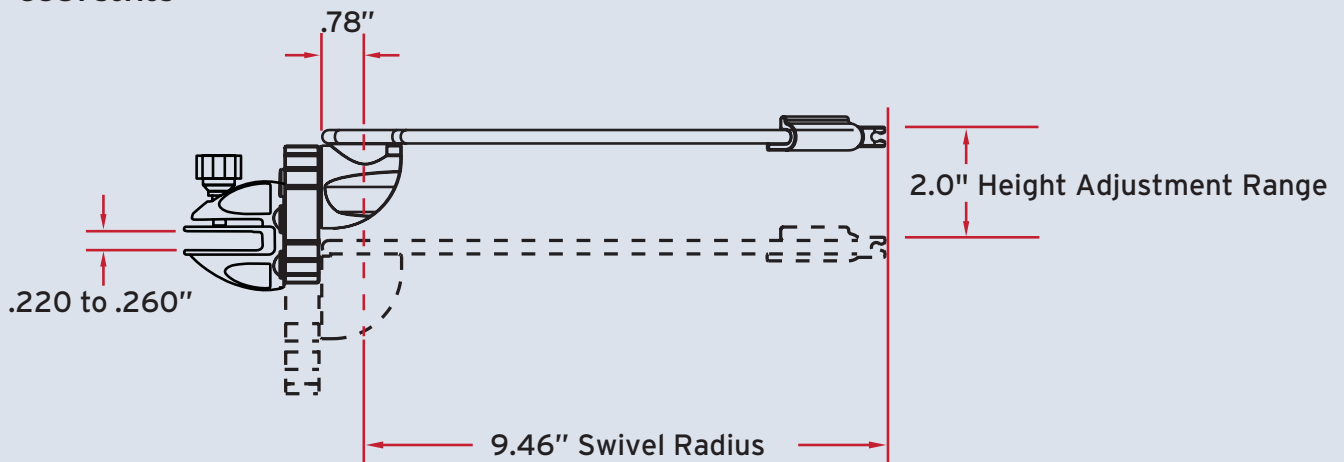
Benefits

- Maximum ergonomic adjustment and user comfort
- Right or left handed use
- Prevents mouse from slipping off tray
- No modification to tray required
- Mechanically attaches directly into the keyboard tray
- Customizable with customer's own mouse tray
- Environmentally friendly

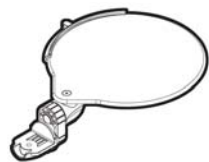
6380 series



6381 series



Height Adjustable Mouse Support



Finish: Black

Code Compliance: Exceeds ANSI/BIFMA standards

6380 series

Model	Mounting	Mouse tray material	Height Range	Weight
6380D	Clamp	Phenolic	2.00"	2.0 lbs
6380K	Clamp	no mouse tray	2.00"	1.0 lbs
6381A	Direct	ABS Plastic	2.00"	2.0 lbs
6381K	Direct	no mouse tray	2.00"	1.0 lbs

Ancillary Products:

- The Height Adjustable Mouse Support is an ideal complement to the HDPE or Phenolic trays.

Notes: 1. Weight = packaged shipping weight per unit. 2. Specifications are subject to change without notice.

CompX ErgonomX – A global leader in ergonomic office solutions

CompX ErgonomX is a single-source supplier of a complete line of highly engineered ergonomic products for the office, including adjustable keyboard support mechanisms, adjustable secondary surface supports, CPU holders, laptop supports and monitor supports. Our global sourcing team ensures we deliver the highest value products at a range of very competitive price points.

Our leadership in design and engineering is supported by our reliable and personal customer service. This is a key element to our ongoing success and is treated as a number one priority. Together, our teams have just one goal - achieving complete customer satisfaction.

CompX ErgonomX

501 Manitou Drive, Kitchener
Ontario, Canada N2C 1L2
www.compXergonomx.com

Phone 866.521.8028
Fax 519.748.4783
ergo@compXnet.com