



CPU Holder

7351D

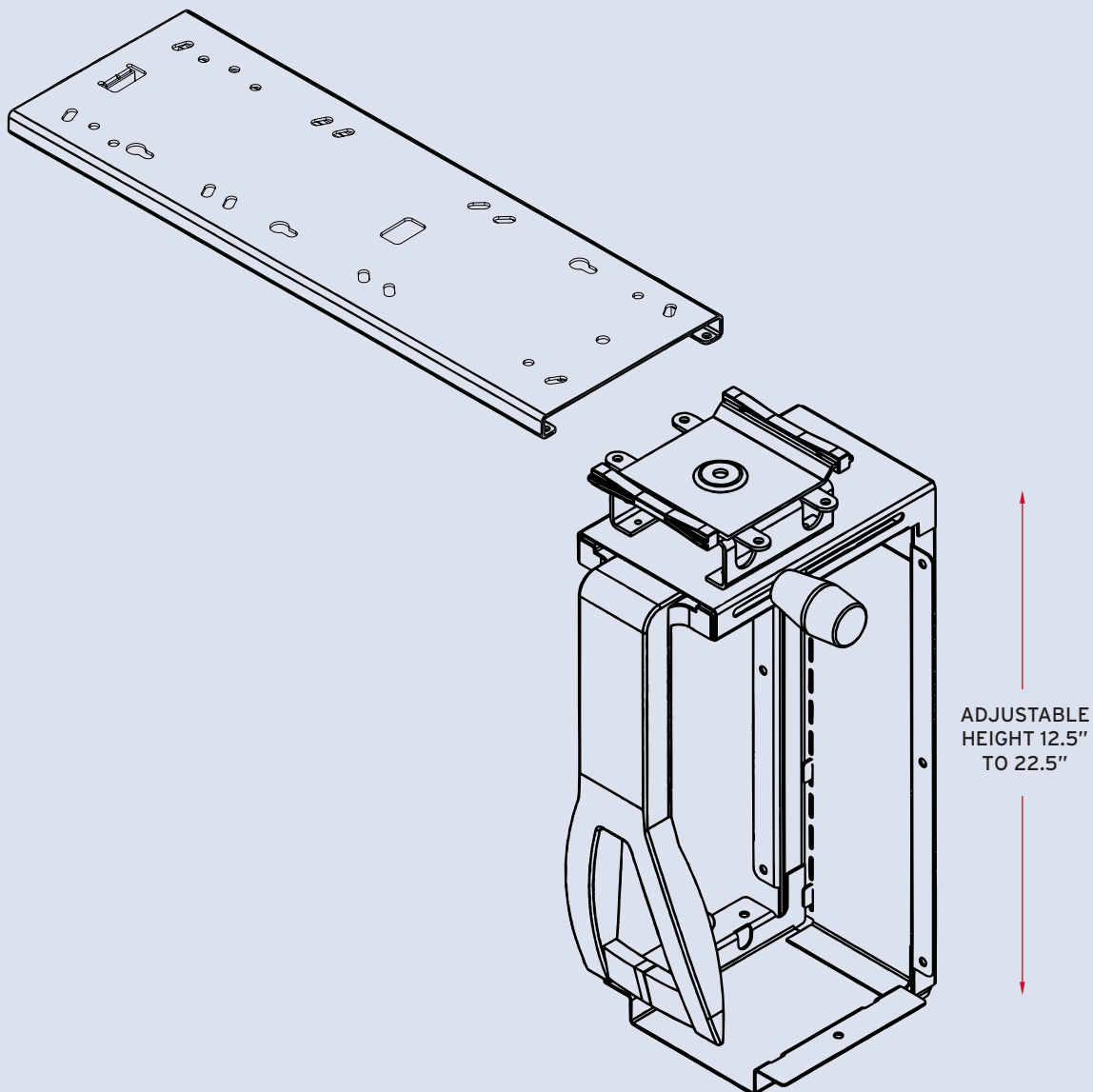
Available in standard or locking models, the 7300 series CPU holders have increased stability and clamping force, with the option to store on a plastic glide or ball bearing track.

Features

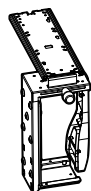
- Plastic side clamp with bumpers
- Knob control to adjust clamp
- Side mountable
- 360° swivel available on most models
- Models available with heavy-duty knob
- Adjustable width (3.5" to 9.3") and Height (12.5" to 22.5")

Benefits

- Increased stability and clamp force
- Intuitive usability
- Keeps tower off the floor
- Allows access to rear panel connections
- Ease of use
- Can be customized to each workstation



CPU Holder



Finish: Black wrinkle paint
Code Compliance: Exceeds ANSI/BIFMA standards
Load Rating: 85lbs

7300 series

Model	Height Range	Width Range	Depth Range	Lockable	Track Size	Track Style	Weight
7301D	13.5" / 22.5"	3.5" / 9.3"	14.75" / 22.3"	no	fixed		9 lbs
7351D	13.5" / 22.5"	3.5" / 9.3"	14.75" / 22.3"	no	17"	plastic glide	13 lbs
7356D	13.5" / 22.5"	3.5" / 9.3"	14.75" / 22.3"	no	17"	ball bearing	17 lbs
7311D	13.5" / 22.5"	3.5" / 9.3"	14.75" / 22.3"	yes	fixed		10 lbs
7361D	13.5" / 22.5"	3.5" / 9.3"	14.75" / 22.3"	yes	17"	plastic glide	14 lbs
7366D	13.5" / 22.5"	3.5" / 9.3"	14.75" / 22.3"	yes	17"	ball bearing	18 lbs

Ancillary Products:

- CompX ErgonomX CPU Holders are an ideal complement to any CompX keyboard support
- For flat panel displays, specify the Concerto flat panel support system

Notes: 1. Weight = packaged shipping weight per unit. 2. Specifications are subject to change without notice.

CompX ErgonomX – A global leader in ergonomic office solutions

CompX ErgonomX is a single-source supplier of a complete line of highly engineered ergonomic products for the office, including adjustable keyboard support mechanisms, adjustable secondary surface supports, CPU holders, laptop supports and monitor supports. Our global sourcing team ensures we deliver the highest value products at a range of very competitive price points.

Our leadership in design and engineering is supported by our reliable and personal customer service. This is a key element to our ongoing success and is treated as a number one priority. Together, our teams have just one goal - achieving complete customer satisfaction.

CompX ErgonomX

501 Manitou Drive, Kitchener
 Ontario, Canada N2C 1L2
www.compXergonomX.com

Phone 1.866.521.8028
 Fax 519.748.4783
ergo@compXnet.com