



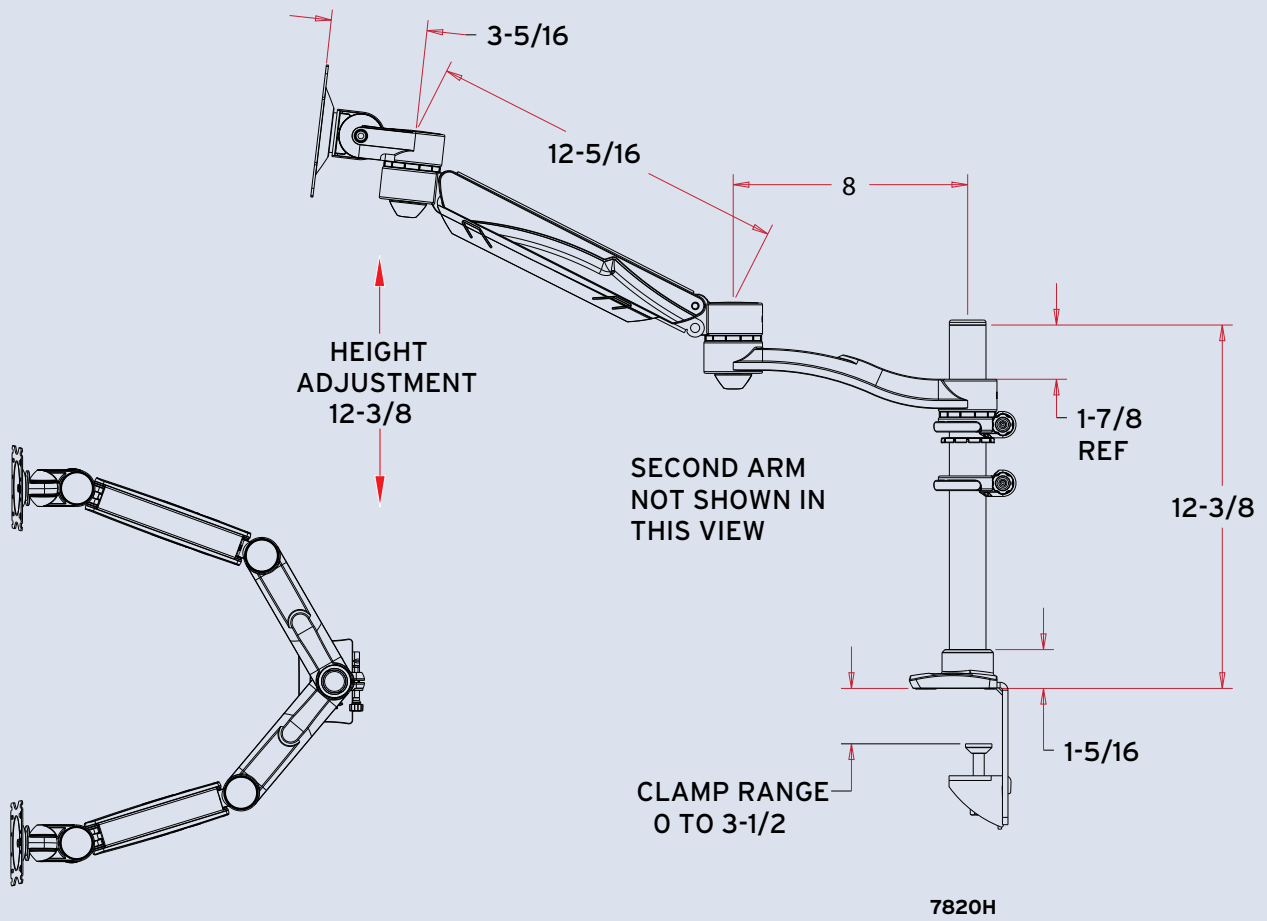
Concerto

The next generation

The new Concerto is a stunning take on an already brilliant innovation from CompX. One part workhorse, one part museum piece, this new monitor arm continues in the fine tradition of its predecessor and builds on a sterling reputation. **Discover the new 7800 series.**

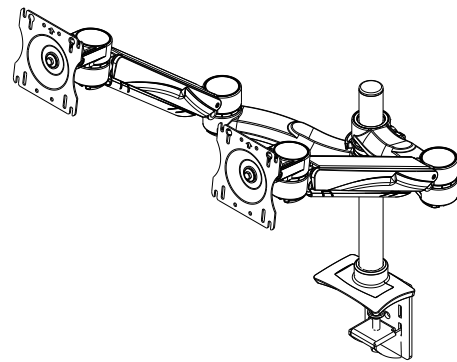
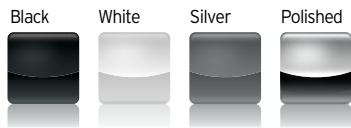
CONCERTO'S UNIQUE FEATURES

- Patented Quick Connect allows fast, simple assembly.
- Flexibility and more options for the end user with a simple, easy-to-use Allen wrench adjustment to counter balance the weight of the monitor.
- Double Extension models allow 24" of back and forth movement. Arm folds back to post for more desk space
- The arm swivels 360° around the base, increasing the options for display position
- Options are available for panel, wall and slatwall mounting configurations
- Desk clamp and grommet mount hardware are included to minimize SKUs
- Clamp and grommet adjustable to fit most desks and work surfaces
- With a clamping range of 1/2" to 2 3/4" that is standard for the Concerto, this new arm will fit to any work surface
- New cable manager keeps all cables hidden
- Monitor mounting bracket contains both 75mm and 100mm hole patterns to comply with VESA standards
- Choice of finishes - silver, white, black or polished



Concerto with Height Adjustable Arm
7800 H series

Model	Description
7810H	Single-Screen, Single Height-Adjustable Extension
7815H	Single-Screen, Double-Extension with one Height-Adjustable Segment
7820H	Dual-Screen, two Double-Extension Arms with one Height-Adjustable Segment per screen
7800H R	Height-Adjustable Segment as retrofit, includes Allen/hex Key



Notes: 1. Weight = packaged shipping weight per unit. 2. Specifications are subject to change without notice.

CompX ErgonomX – A global leader in ergonomic office solutions

CompX ErgonomX is a single-source supplier of a complete line of highly engineered ergonomic products for the office, including adjustable keyboard support mechanisms, adjustable secondary surface supports, CPU holders, laptop supports and monitor supports. Our global sourcing team ensures we deliver the highest value products at a range of very competitive price points.

Our leadership in design and engineering is supported by our reliable and personal customer service. This is a key element to our ongoing success and is treated as a number one priority. Together, our teams have just one goal - achieving complete customer satisfaction.

CompX ErgonomX

501 Manitou Drive, Kitchener
Ontario, Canada N2C 1L2
www.compXergonomx.com

Phone 1.866.521.8028
Fax 519.748.4783
ergo@compXnet.com