



## Duet Arm

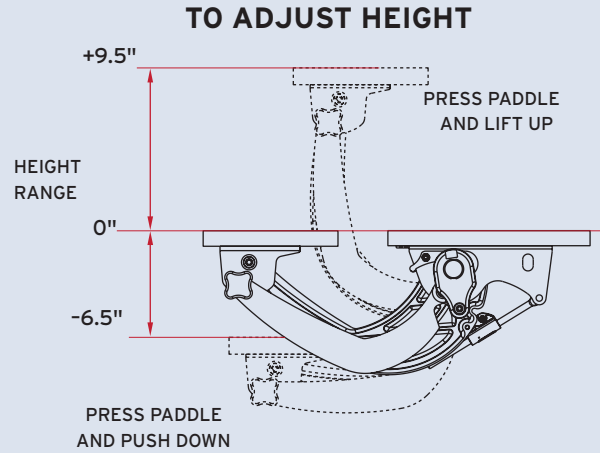
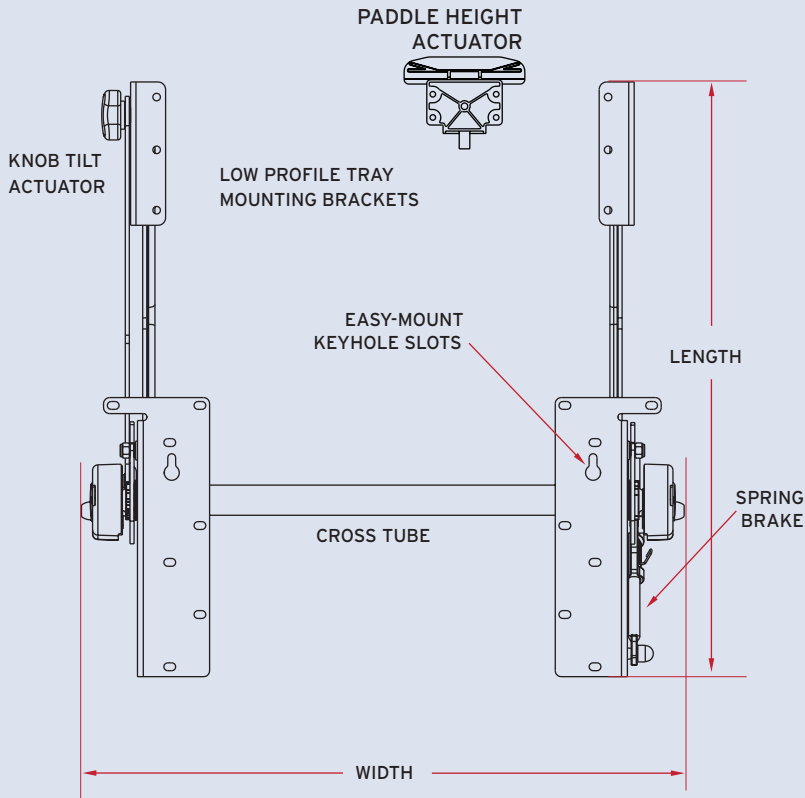
The Duet offers great functionality along with excellent stability, and is perfect for heavy typing use in customized dual surface or split surface workstations.

### Features

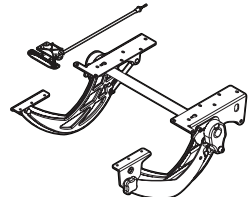
- Stable, durable design
- Supports large widths
- Knob for tilt adjustment
- New and improved compact spring brake mechanism
- Embossed arms
- Has a 19" height range adjustment
- Counterbalance is field adjustable by installers
- Easy-mount keyhole slots on mounting brackets
- Paddle or "T" pull control option
- Converts conventional single surface workstation into a split level sit to stand work center
- Wherever possible, recycled materials are used to manufacture components
- Designed for disassembly and full recyclability

### Benefits

- Ideal for heavy typing use
- Can be customized for individual workstations
- Provides independent tilt adjustment of +/- 15°
- Accommodates heavy loads with less possible interference with end user
- Designed for strength and style
- Designed to alternate between sitting and standing while typing
- Optimized performance
- Easy to install and remove
- Easy access height adjustment
- Economical solution for a split level work station
- Environmentally friendly



## Duet Arm



**Finish:** Black wrinkle paint  
**Code Compliance:** Exceeds ANSI/BIFMA standards

### 7080 series 7090 series

Model	Height Range	Tilt	Length	Width	Weight
7080D2300	+12.5" / -6.5"	-15°/+15°	21.1"	23"	17.4 lbs
7080D2700	+12.5" / -6.5"	-15°/+15°	21.1"	27"	17.8 lbs
7080D3100	+12.5" / -6.5"	-15°/+15°	21.1"	31"	18.2 lbs
7080D3900	+12.5" / -6.5"	-15°/+15°	21.1"	39"	19.2 lbs
7090D2300	+9.5" / -6.5"	-15°/+15°	19.7"	23"	16.6 lbs
7090D2700	+9.5" / -6.5"	-15°/+15°	19.7"	27"	17.0 lbs
7090D3100	+9.5" / -6.5"	-15°/+15°	19.7"	31"	17.4 lbs
7090D3900	+9.5" / -6.5"	-15°/+15°	19.7"	39"	18.4 lbs

**Ancillary Products:**

- Use with CompX ErgonomX CPU holders
- For flat panel displays, specify the Concerto flat panel support system

Notes: 1. Weight = packaged shipping weight per unit. 2. Specifications are subject to change without notice.

### CompX ErgonomX – A global leader in ergonomic office solutions

CompX ErgonomX is a single-source supplier of a complete line of highly engineered ergonomic products for the office, including adjustable keyboard support mechanisms, adjustable secondary surface supports, CPU holders, laptop supports and monitor supports. Our global sourcing team ensures we deliver the highest value products at a range of very competitive price points.

Our leadership in design and engineering is supported by our reliable and personal customer service. This is a key element to our ongoing success and is treated as a number one priority. Together, our teams have just one goal - achieving complete customer satisfaction.

**CompX ErgonomX**  
 501 Manitou Drive, Kitchener  
 Ontario, Canada N2C 1L2  
 www.compXergonomX.com

Phone 866.521.8028  
 Fax 519.748.4783  
 ergo@compXnet.com