



HDPE Keyboard Tray

High Density Polyethylene

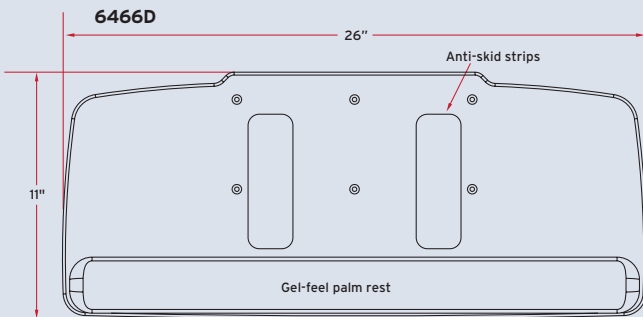
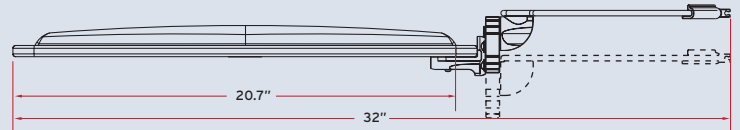
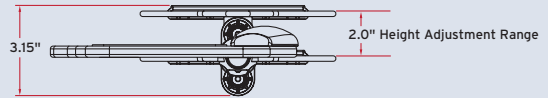
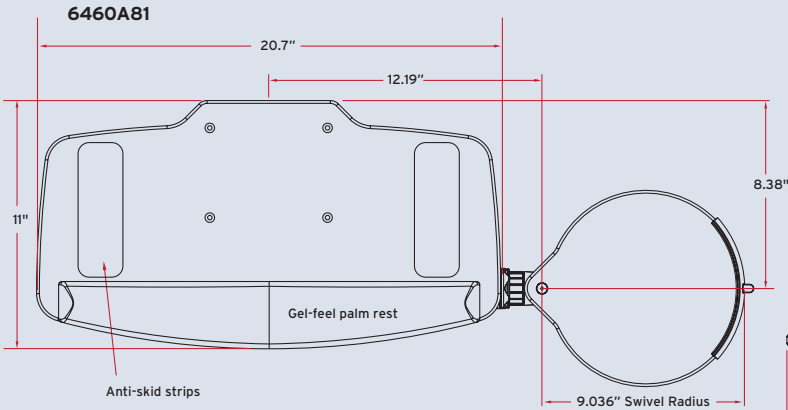
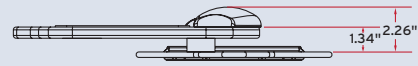
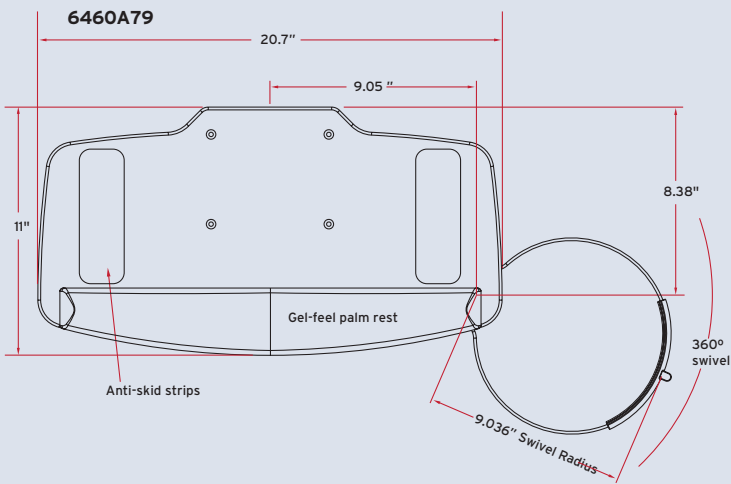
This fully recyclable keyboard tray was developed to meet a growing demand for environmentally friendly products. Made from HDPE, the tray uses recycled component materials where possible and is fully recyclable.

Features

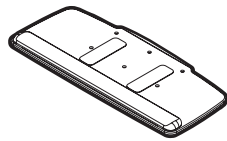
- Made from 1/2" thick HDPE (High Density Polyethylene) with a textured finish
- 20" keyboard trays comes with mouse guard including cable manager
- Keyboard tray has off-set mounting holes
- Anti-skid strips on keyboard tray
- Universal mounting pattern
- Plug-in, non-inserted, gel-feel foam palm rest
- Wherever possible, recycled materials are used to manufacture components
- Available with swivel only mouse surface or new height adjustable mouse mechanism

Benefits

- Sturdy design which meets "Green" product requirements
- Prevents mouse from slipping off tray
- Increased functionality
- Strips prevent keyboard slippage
- Attaches to all CompX keyboard arms
- Offers gentle support, easy-to-clean wrinkle finish and wear resistant material
- Entire keyboard tray is fully recyclable
- Environmentally friendly
- Allows for left and right mounting flexibility



HDPE Keyboard Tray



Finish: Black High Density Polyethylene
Code Compliance: Meets ANSI/BIFMA standards

6460 series

Model	Width	Depth	Material	Colour	Mouse Tray	Palm Rest	Weight
6460A79	20.7"	11.0"	HDPE	Black	Swivel Only	included	5.0 lbs
6460A81	20.7"	11.0"	HDPE	Black	Height adjustable with swivel	included	6.0 lbs
6466D	26.0"	11.0"	HDPE	Black	Part of keyboard tray	included	6.0 lbs

Ancillary Products:

- Ideal complement for Ovation, Momentum and Maestro arms
- Use with CompX ErgonomX CPU holders
- For flat panel displays, specify the Concerto flat panel support system

Notes: Specifications are subject to change without notice.

CompX ErgonomX – A global leader in ergonomic office solutions

CompX ErgonomX is a single-source supplier of a complete line of highly engineered ergonomic products for the office, including adjustable keyboard support mechanisms, adjustable secondary surface supports, CPU holders, laptop supports and monitor supports. Our global sourcing team ensures we deliver the highest value products at a range of very competitive price points.

Our leadership in design and engineering is supported by our reliable and personal customer service. This is a key element to our ongoing success and is treated as a number one priority. Together, our teams have just one goal - achieving complete customer satisfaction.

CompX ErgonomX
 501 Manitou Drive, Kitchener
 Ontario, Canada N2C 1L2
www.compXergonomX.com

Phone 866.521.8028
 Fax 519.748.4783
ergo@compXnet.com