



## Maestro Arm

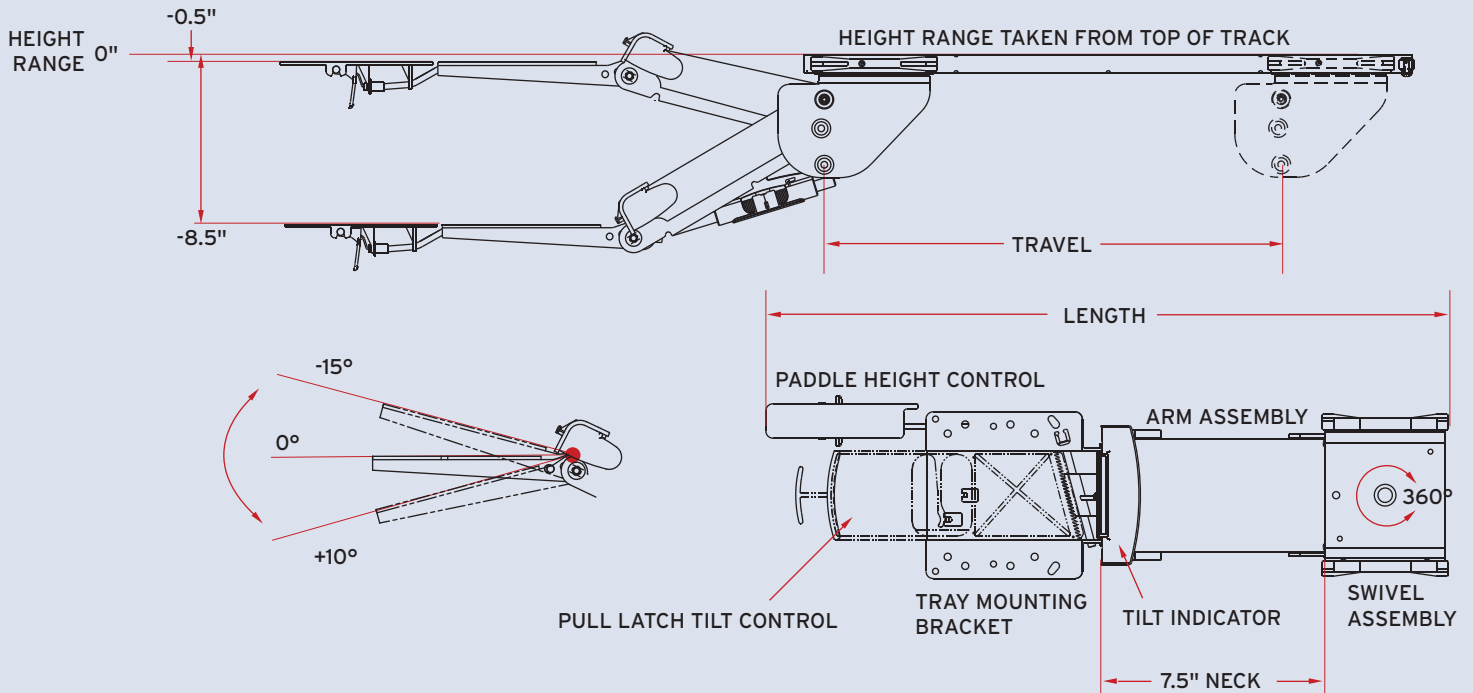
The Maestro arm leads our line-up for convenience features, flexibility in application and exceptionally high stability. Maestro provides industry-leading ergonomic performance with superior independent height and tilt adjustment controls.

### Features

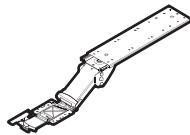
- Low profile design
- Patented spring brake locking mechanism
- Finger-controlled pull latch for independent tilt adjustment
- Tray tilt angle indicator
- No knobs or levers
- Positive tilt lockout option
- 360° swivel
- Available with either glide or low-profile ball bearing tracks

### Benefits

- Provides maximum leg room
- Simple single touch height control
- Easy to make precise tilt adjustments
- Allows pinpoint tilt angle positioning
- Designed for greater ADA compliance
- Promotes negative tilt of keyboard
- User can move keyboard freely from side to side
- Choose the one that fits into your budget



## Maestro Arm



**Finish:** Black wrinkle paint

**Code Compliance:** Exceeds ANSI/BIFMA standards

### 9425 series 9625 series

Model	Height Range	Tilt	Length	Travel	Track Size	Track Style	Weight
9425D21	-0.5" / -8.5"	-15°/+10°	22.4"	15.8"	21.75"	plastic glide	12.6 lbs
9425D23	-0.5" / -8.5"	-15°/+10°	22.4"	17.8"	23.00"	plastic glide	12.7 lbs
9625D21	-0.63" / -8.5"	-15°/+10°	22.4"	15.8"	21.75"	ball bearing	12.6 lbs
9625D23	-0.63" / -8.5"	-15°/+10°	22.4"	17.8"	23.00"	ball bearing	12.7 lbs

### Ancillary Products:

- Maestro is an ideal complement to the Harmony tray
- Compatible with most CompX ErgonomX keyboard trays
- Use with CompX ErgonomX CPU holders
- For flat panel displays, specify the Concerto flat panel support system

Notes: 1. Weight = packaged shipping weight per unit. 2. Specifications are subject to change without notice.

### CompX ErgonomX – A global leader in ergonomic office solutions

CompX ErgonomX is a single-source supplier of a complete line of highly engineered ergonomic products for the office, including adjustable keyboard support mechanisms, adjustable secondary surface supports, CPU holders, laptop supports and monitor supports. Our global sourcing team ensures we deliver the highest value products at a range of very competitive price points.

Our leadership in design and engineering is supported by our reliable and personal customer service. This is a key element to our ongoing success and is treated as a number one priority. Together, our teams have just one goal - achieving complete customer satisfaction.

### CompX ErgonomX

501 Manitou Drive, Kitchener  
Ontario, Canada N2C 1L2  
www.compXergonomx.com

Phone 1.866.521.8028  
Fax 519.748.4783  
ergo@compXnet.com