



Momentum Arms

Sit-Stand Length

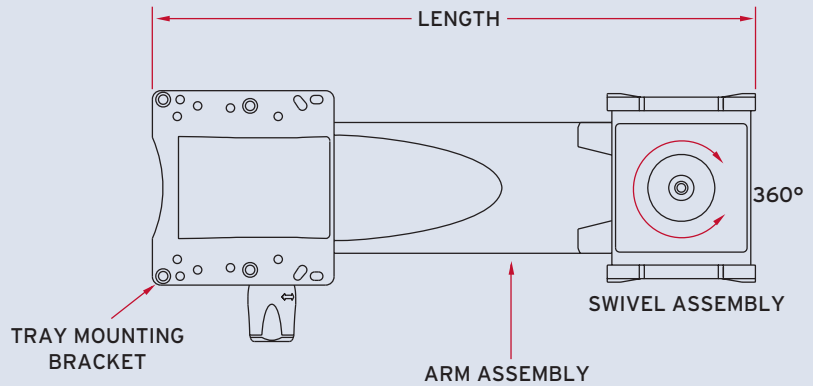
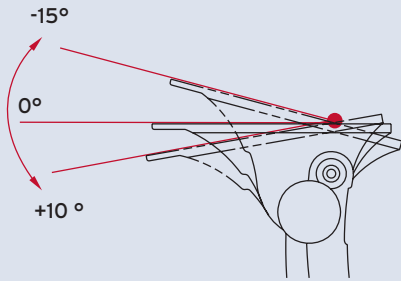
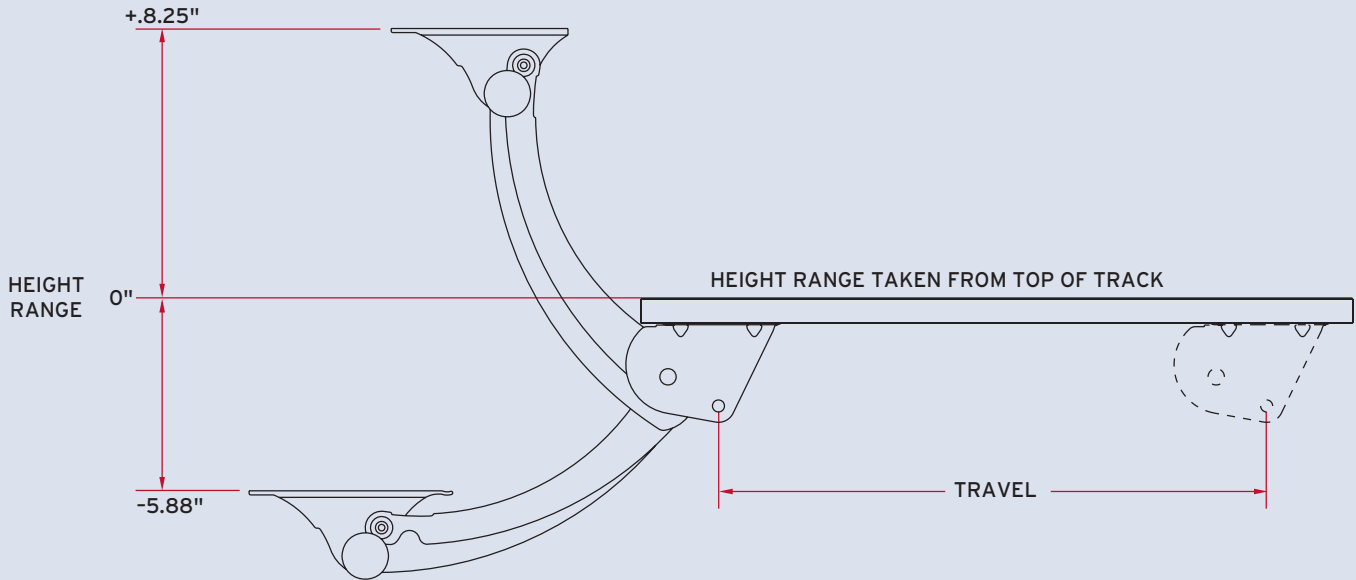
The original Sit-Stand Arms have been redesigned to provide better ergonomic support for both seated and standing positions. The new design builds on that ergonomic comfort by moving the user closer to the work surface.

Features

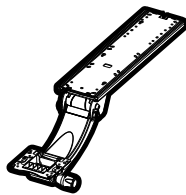
- Increased height range from 8.25" above track to 5.88" below track
- Enhanced, patented Lift-N-Lock™ braking mechanism
- Reduced neck length
- 360° swivel
- Positive tilt lockout option
- Dual swivel option
- Wherever possible, recycled materials are used to manufacture components
- Designed for disassembly and 100% recyclability

Benefits

- Comfortable positioning at either seated or standing postures
- Superior lock-up, increased stability
- Easy adjustment of height of keyboard tray
- Allows user to be closer to the desk in seated and standing positions
- Keyboard tray moves easily from side to side for more flexibility
- Promotes negative only tilt of keyboard
- Keyboard can always be parallel to desk even when corner mounted
- Environmentally friendly



Momentum Arm Sit-Stand Length



Also available in standard and extended lengths

Finish: Black wrinkle paint

Code Compliance: Exceeds ANSI/BIFMA standards

8658 series

Model	Height Range	Tilt	Length	Travel	Track size	Track style	Weight
8458D21	+8.25"/-5.88"	-15°/+10°	17.9"	16.75"	21.75"	plastic glide	11.3 lbs
8458D23	+8.25"/-5.88"	-15°/+10°	17.9"	18.00"	23.00"	plastic glide	11.5 lbs
8658D21	+8.13"/-6.00"	-15°/+10°	18.3"	16.75"	21.75"	ball bearing	11.3 lbs
8658D23	+8.13"/-6.00"	-15°/+10°	18.3"	18.00"	23.00"	ball bearing	11.5 lbs

Ancillary Products:

- Momentum Sit-Stand is an ideal complement to the Harmony Tray
- Compatible with most CompX ErgonomX keyboard trays
- Use with CompX ErgonomX CPU holders
- For flat panel displays, specify the Concerto flat panel support system

Notes: 1. Weight = packaged shipping weight per unit. 2. Specifications are subject to change without notice.

CompX ErgonomX – A global leader in ergonomic office solutions

CompX ErgonomX is a single-source supplier of a complete line of highly engineered ergonomic products for the office, including adjustable keyboard support mechanisms, adjustable secondary surface supports, CPU holders, laptop supports and monitor supports. Our global sourcing team ensures we deliver the highest value products at a range of very competitive price points.

Our leadership in design and engineering is supported by our reliable and personal customer service.

This is a key element to our ongoing success and is treated as a number one priority. Together, our teams have just one goal - achieving complete customer satisfaction.

CompX ErgonomX

501 Manitou Drive, Kitchener
Ontario, Canada N2C 1L2
www.compXergonomX.com

Phone 866.521.8028
Fax 519.748.4783
ergo@compXnet.com