



Momentum Arm

Standard Length

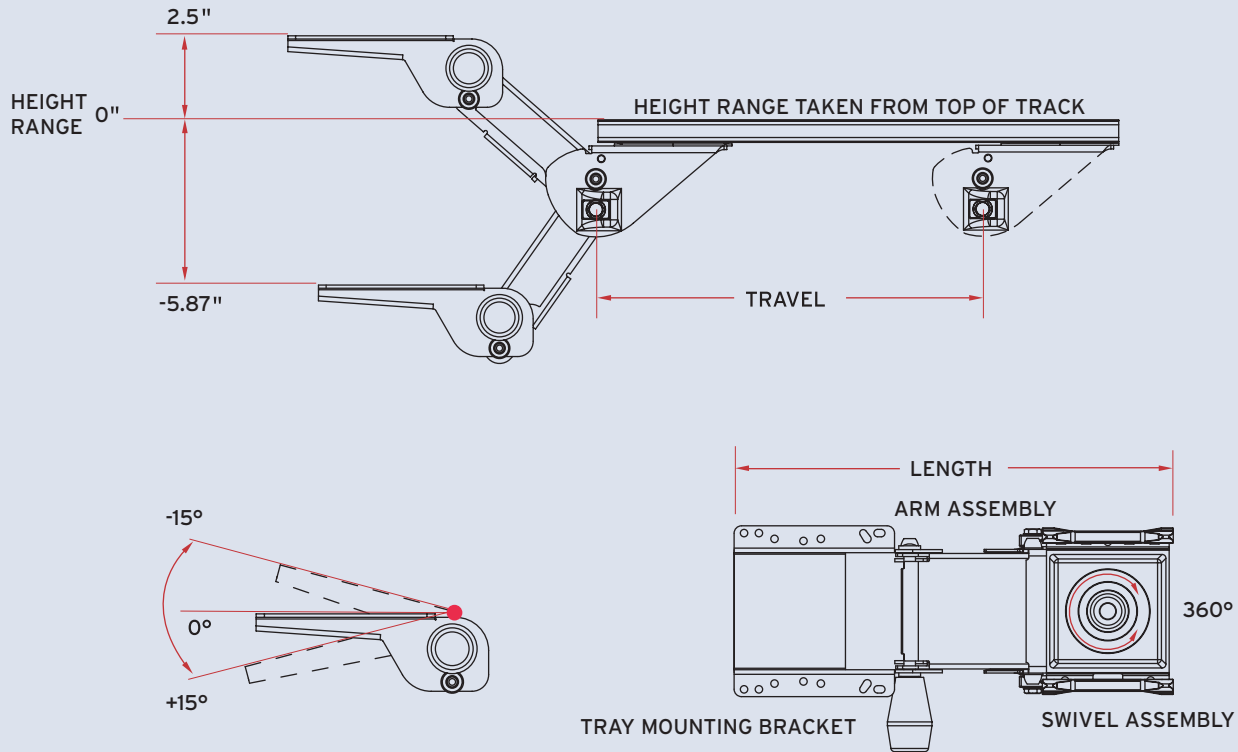
The Momentum arm is perfect for users who need a solid support and fast position-changing capability, or in workstations that accommodate multiple users.

Features

- Low profile design
- Patented spring-assisted Lift-n-Lock™ counter balancing system (no knobs or levers)
- Soft-touch knob for tilt adjustment
- 5 1/2" standard length neck
- Dual swivel option
- 360° swivel
- Available with either glide or low-profile ball bearing storage tracks
- Positive tilt lockout option

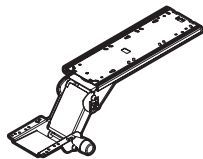
Benefits

- Provides maximum leg room
- Easy to make precise height adjustments for maximum comfort
- Easy to make precise tilt adjustments for maximum comfort
- Accommodates straight desktops with limited space
- Allows keyboard tray to be parallel to the desk even when corner-mounted
- User can move keyboard freely from side to side
- Fully retractable when not in use; choose the one that fits your budget
- Promotes healthier negative tilt of keyboard; reduces risk of repetitive stress injury



Momentum Arm

Standard Length



Also available in extended and sit/stand lengths.

Finish: Black wrinkle paint

Code Compliance: Exceeds ANSI/BIFMA standards

8438 series 8638 series 5.5" Neck

Model	Height Range	Tilt	Length	Travel	Track Size	Track Style	Weight
8438D17	2.5" / -5.87"	-15°/+15°	13.8"	12.0"	17.00"	plastic glide	11.0 lbs
8438D21	2.5" / -5.87"	-15°/+15°	13.8"	16.8"	21.75"	plastic glide	13.0 lbs
8438DS21	2.5" / -5.87"	-15°/+15°	13.8"	16.8"	21.75"	plastic glide	14.2 lbs
8438DS23	2.5" / -5.87"	-15°/+15°	13.8"	18.0"	23.00"	plastic glide	15.0 lbs
8638D21	2.38" / -6.0"	-15°/+15°	14.2"	16.8"	21.75"	ball bearing	13.0 lbs
8638DS21	2.38" / -6.0"	-15°/+15°	14.2"	16.8"	21.75"	ball bearing	14.2 lbs
8638DS23	2.38" / -6.0"	-15°/+15°	14.2"	18.0"	23.00"	ball bearing	15.0 lbs

Ancillary Products:

- Momentum is an ideal complement to the Harmony tray
- Compatible with most CompX ErgonomX keyboard trays
- Use with CompX ErgonomX CPU holders
- For flat panel displays, specify the Concerto flat panel support system

Notes: 1. Weight = packaged shipping weight per unit. 2. Specifications are subject to change without notice.

CompX ErgonomX – A global leader in ergonomic office solutions

CompX ErgonomX is a single-source supplier of a complete line of highly engineered ergonomic products for the office, including adjustable keyboard support mechanisms, adjustable secondary surface supports, CPU holders, laptop supports, and monitor supports. Our global sourcing team ensures we deliver the highest value products at a range of very competitive price points.

Our leadership in design and engineering is supported by our reliable and personal customer service. This is a key element to our ongoing success and is treated as a number one priority. Together, our teams have just one goal - achieving complete customer satisfaction.

CompX ErgonomX

501 Manitou Drive, Kitchener
Ontario, Canada N2C 1L2
www.compXergonomX.com

Phone 1.866.521.8028
Fax 519.748.4783
ergo@compXnet.com