



Ovation Arm

Standard Length

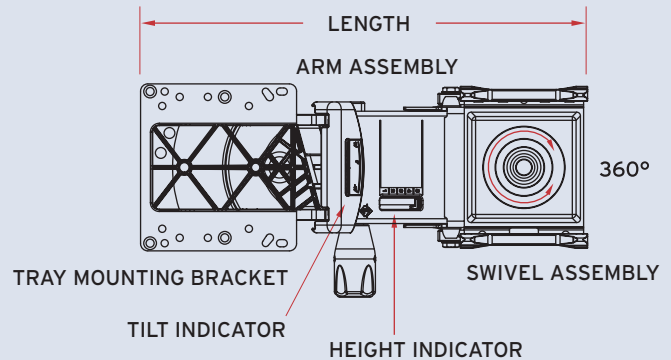
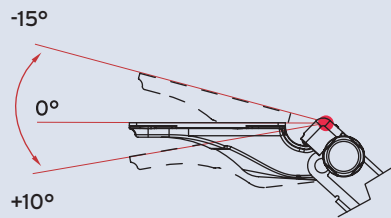
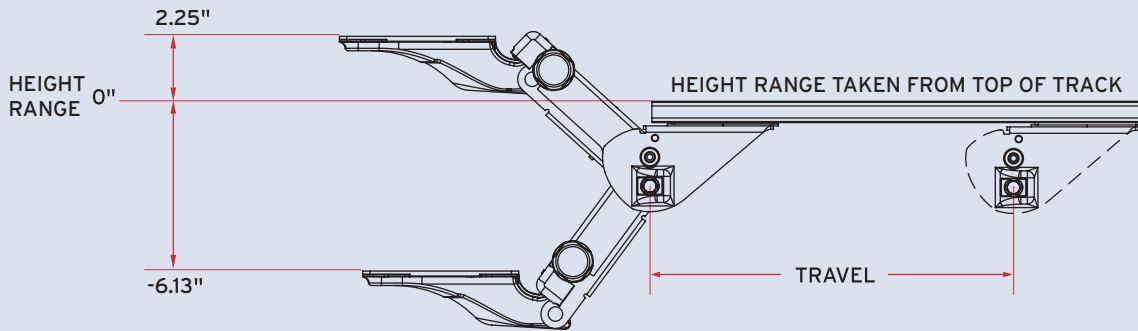
No other arm on the market moves like the new Ovation, the revolutionary keyboard support system from CompX Ergonomix. Designed to offer a greater range of motion and maximum user comfort and safety. Ovation's simple, visual gauges, for both height and tilt, make it effortless to fine tune keyboard position for a personalized fit.

Features

- New - height indicator gauge; patent pending
- Patented dial tilt adjustment
- Molded head tray constructed of durable engineered resin
- Ergonomic styling, low profile design
- Patented, spring-assisted Lift-n-Lock™ counter balancing system (no knobs or levers)
- 5 1/2" standard length neck
- Dual swivel option
- 360° swivel
- Available with either glide or low-profile ball bearing storage tracks
- Positive tilt lockout option

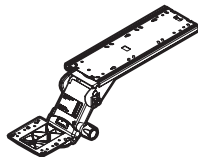
Benefits

- Allows users to easily adjust the height of their keyboard for maximum comfort, productivity and greater ADA compliance
- Tilt dial shows the angle of the tray as you turn the knob; also easy to use and provides greater ADA compliance
- Lighter weight; added stability design allows higher height range; superior ergonomic form
- Maximum comfort and leg room
- Precise adjustments are quick and easy
- Accommodates straight desktops with limited space
- Allows keyboard tray to be parallel to the desk even when corner-mounted
- User can move keyboard freely from side to side
- Fully retractable when not in use; choose the one that fits your budget
- Promotes healthier negative tilt of keyboard; reduces risk of repetitive stress injury



Ovation Arm

Standard Length



Also available in extended length.

Finish: Black wrinkle paint

Code Compliance: Exceeds ANSI/BIFMA standards

8434 series 8634 series 5.5" Neck

Model	Height Range	Tilt	Length	Travel	Track Size	Track Style	Weight
8434D17	2.25" / -6.13"	-15°/+10°	14.7"	12.0"	17.00"	plastic glide	10.5 lbs
8434D21	2.25" / -6.13"	-15°/+10°	14.7"	16.8"	21.75"	plastic glide	11.3 lbs
8634D17	2.13" / -6.25"	-15°/+10°	15.0"	12.0"	17.00"	ball bearing	10.5 lbs
8634D21	2.13" / -6.25"	-15°/+10°	15.0"	16.8"	21.75"	ball bearing	11.3 lbs

Ancillary Products:

- Ovation is an ideal complement to the Harmony tray
- Compatible with most CompX ErgonomX keyboard trays
- Use with CompX ErgonomX CPU holders
- For flat panel displays, specify the Concerto flat panel support system

Notes: 1. Weight = packaged shipping weight per unit. 2. Specifications are subject to change without notice.

CompX ErgonomX – A global leader in ergonomic office solutions

CompX ErgonomX is a single-source supplier of a complete line of highly engineered ergonomic products for the office, including adjustable keyboard support mechanisms, adjustable secondary surface supports, CPU holders, laptop supports, and monitor supports. Our global sourcing team ensures we deliver the highest value products at a range of very competitive price points.

Our leadership in design and engineering is supported by our reliable and personal customer service. This is a key element to our ongoing success and is treated as a number one priority. Together, our teams have just one goal - achieving complete customer satisfaction.

CompX ErgonomX

501 Manitou Drive, Kitchener
Ontario, Canada N2C 1L2
www.compXergonomx.com

Phone 1.866.521.8028
Fax 519.748.4783
ergo@compXnet.com