



Ovation Arm

Sit-Stand Length

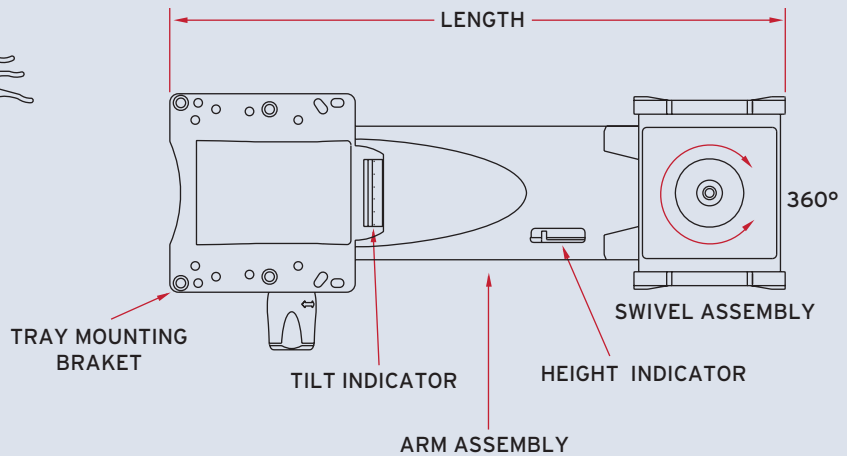
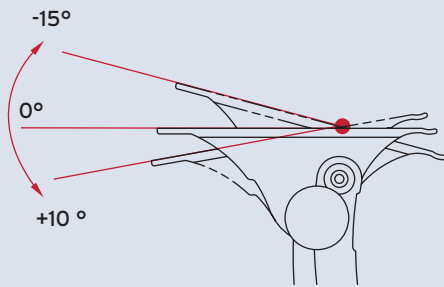
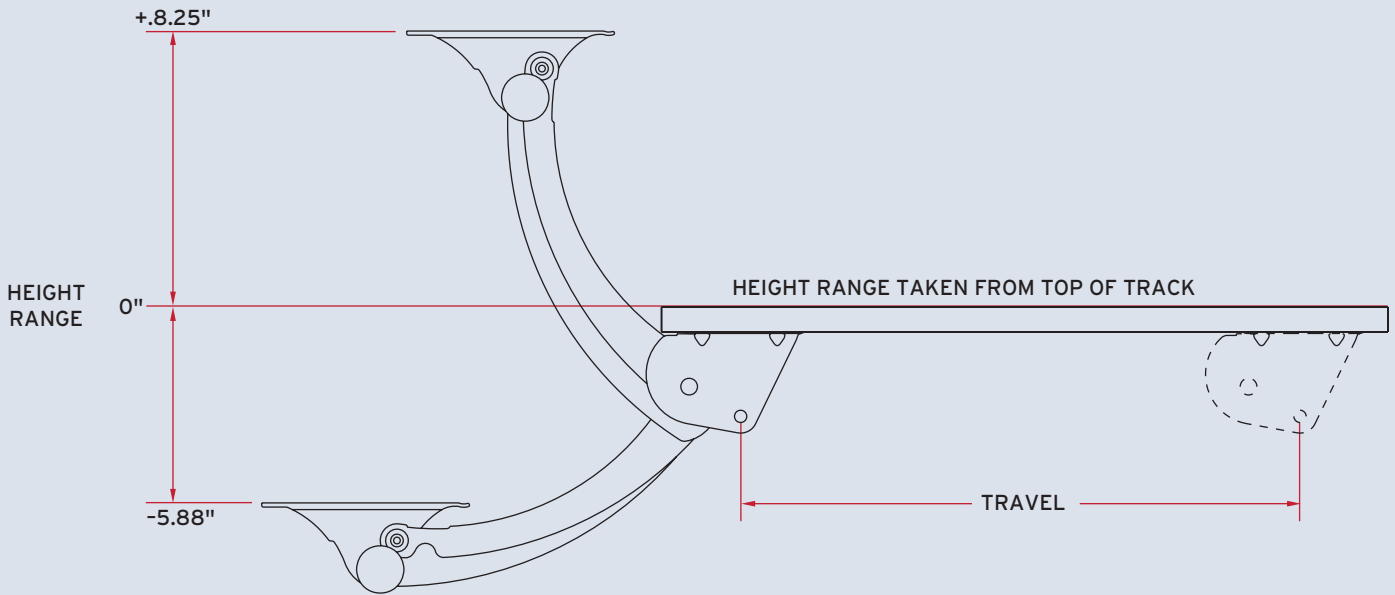
The Ovation Sit-Stand Arms maximize ergonomic support for both seated and standing positions. The Ovation includes a patented dial tilt gauge and a height gauge to provide specific ergonomic adjustments.

Features

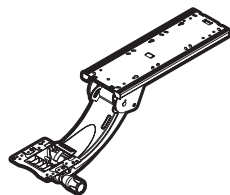
- Includes a patented dial tilt gauge
- Incorporates a height gauge
- Increased height range from 8.25" above track to 5.88" below track
- Enhanced, patented Lift-N-Lock™ braking mechanism
- Reduced neck length
- 360° swivel
- Positive tilt lockout option
- Dual swivel option
- Wherever possible, recycled materials are used to manufacture components
- Designed for disassembly and 100% recyclability

Benefits

- Shows the angle of the tray as tilt knob is turned from -15° to +10°, easy to use and provides greater ADA compliance
- Marks user's best ergonomic keyboarding position for repeatable location
- Comfortable positioning at either seated or standing posture
- Easy adjustment of height of keyboard tray
- Superior lock-up, increased stability and improved accuracy of tilt position
- Allows users to be closer to the desk in seated and standing positions
- Keyboard tray moves easily from side to side for more flexibility
- Promotes negative only tilt of keyboard
- Keyboard can always be parallel to desk even when corner mounted
- Environmentally friendly



Ovation Arm Sit-Stand Length



Also available in standard and extended lengths

Finish: Black wrinkle paint

Code Compliance: Exceeds ANSI/BIFMA standards

| 8454 series | | 8654 series | | Length | Travel | Track size | Track style | Weight |
|-------------|---------------|-------------|--|--------|--------|------------|---------------|----------|
| Model | Height Range | Tilt | | | | | | |
| 8454D21 | +8.25"/-5.88" | -15°/+10° | | 17.9" | 16.75" | 21.75" | plastic glide | 11.3 lbs |
| 8454D23 | +8.25"/-5.88" | -15°/+10° | | 17.9" | 18.00" | 23.00" | plastic glide | 11.8 lbs |
| 8654D21 | +8.13"/-6.00" | -15°/+10° | | 18.3" | 16.75" | 21.75" | ball bearing | 11.3 lbs |
| 8654D23 | +8.13"/-6.00" | -15°/+10° | | 18.3" | 18.00" | 23.00" | ball bearing | 11.8 lbs |

Ancillary Products:

- Ovation Sit-Stand is an ideal complement to the Harmony Tray
- Compatible with most CompX ErgonomX keyboard trays
- Use with CompX ErgonomX CPU holders
- For flat panel displays, specify the Concerto flat panel support system

Notes: 1. Weight = packaged shipping weight per unit. 2. Specifications are subject to change without notice.

CompX ErgonomX – A global leader in ergonomic office solutions

CompX ErgonomX is a single-source supplier of a complete line of highly engineered ergonomic products for the office, including adjustable keyboard support mechanisms, adjustable secondary surface supports, CPU holders, laptop supports and monitor supports. Our global sourcing team ensures we deliver the highest value products at a range of very competitive price points.

Our leadership in design and engineering is supported by our reliable and personal customer service. This is a key element to our ongoing success and is treated as a number one priority. Together, our teams have just one goal - achieving complete customer satisfaction.

CompX ErgonomX

501 Manitou Drive, Kitchener
Ontario, Canada N2C 1L2
www.compXergonomx.com

Phone 866.521.8028
Fax 519.748.4783
ergo@compXnet.com